

Garden

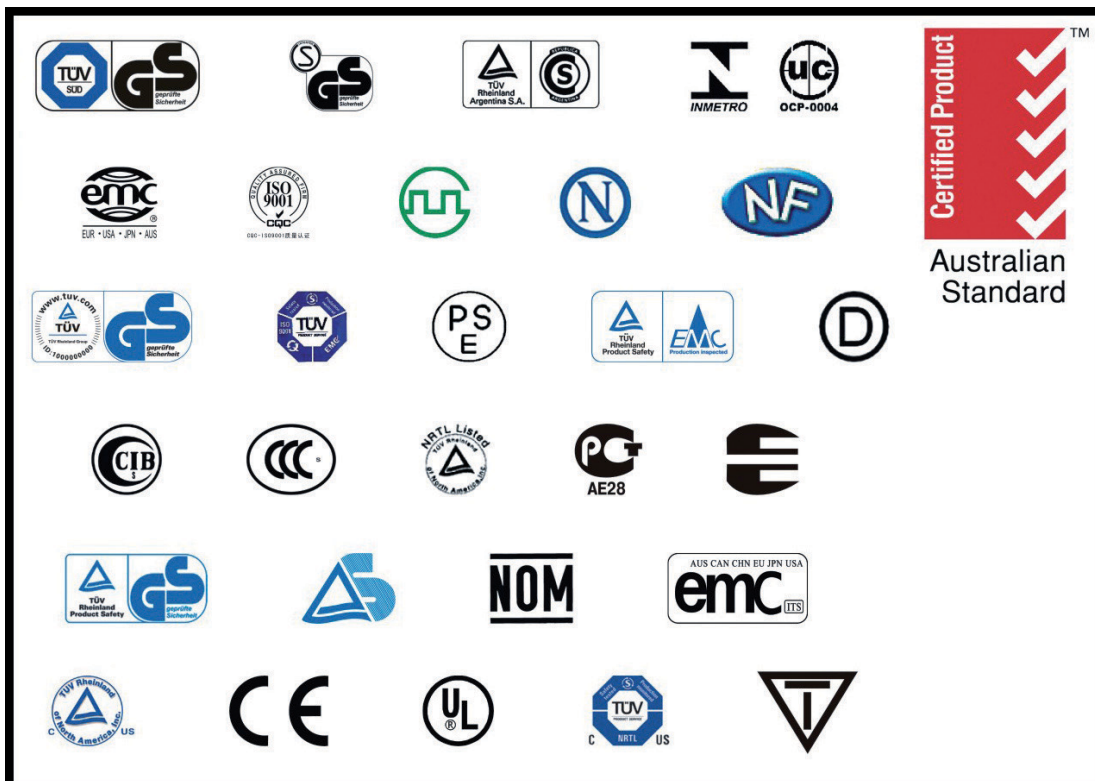
**MATRIX**  
buy direct



## The MATRIX buy direct philosophy - the direct route to satisfied customers

The core concept of MATRIX is making the globalisation of our economy a reality and providing our customers with a route to purchase goods direct from manufacturers in Germany, Europe and China. Completely direct with no diversions through third parties which only serve to push up prices. We provide our customers with an opportunity to take advantage of our decades of experience in the development, purchasing and sale of electric appliances, woodworking machinery and garden equipment which they can buy without any risk. We offer attractive product ranges with unique value for money. Our innovative in-house developments enable us to supply our customers with products which have established themselves on the market and thus keep us ahead of our competitors.

Our products meet international standards, have passed all the relevant tests and hold all the necessary certificates.



Technical changes subject to change

## CONTENTS

### CHAIN SAW/CHAIN SHARPENER 03

AC chain saw  
Petrol chain saw  
AC chain sharpener

### LINE TRIMMER/BRUSH CUTTER 06

AC line trimmer  
DC line trimmer  
Petrol line trimmer  
Petrol brush cutter

### HEDGE TRIMMER 12

AC hedge trimmer  
Petrol hedge trimmer  
Grass shear  
AC pole saw

### SCARIFIER/TILLER 20

AC scarifier  
Petrol tiller

### GARDEN SHREDDER 22

AC garden shredder  
Petrol garden shredder

### LOG SPLITTER / LOG SAW 23

AC log splitter  
AC log saw

### PUMP 24

AC dirty water pump  
AC rain water pump  
AC garden pump  
Petrol water pump

### LEAF BLOWER 29

AC leaf blower  
Petrol leaf blower

**PATENT**  
Revolutionary invention

*More safe and convenient operation  
Longer lifetime at chain and bar*



Open lock-screw



The tension is working automatically



Fix lock-screw and chain on the right position



**EK 2200-40 A  
AC Chain Saw**



Powerful ability for dust discharge



Lower noise



Fashion design



Automatic kickback protection



**NEW  
PATENT**



**EK 1800-35 A**



**EK 2000-40 A**



**EK 2200-40 A**



AC Chain Saw	EK 1800-35 A	EK 2000-400 A	EK 2200-40 A
Rated voltage	230-240 V~/50 Hz	230-240 V~/50 Hz	230-240 V~/50 Hz
Rated power	1800 W	2000 W	2200 W
Chain speed	13.5 m/s	13.5 m/s	13.5 m/s
Cutting length	380 mm	380 mm	380 mm
Oil tank capacity	150 ml	150 ml	150 ml
Guide bar	16"	16"	16"
Automatic chain tension system	✓	✓	✓
Automatic chain lubricating system	✓	✓	✓
Vertical/horizontal cutting mode	✓	✓	✓
OREGON chain and bar	✓	✓	✓
Recoil hand guard	✓	✓	✓
Mechanical brake	✓	✓	✓
Lower kick-back	✓	✓	✓
Perfect balance	✓	✓	✓
Art. No.	320.400.270	320.400.280	320.400.260
Barcode	4250116812127	4250116812141	4250116811779
<b>Accessory</b>	<b>Chain</b>		
Art. No.	320.400.251		



**EK 1600-350**



**EK 2400-40 AK**



**PCS 46-45-1**

Easy start

Tool-less chain tension



Accessory



Accessory



**PCS 46-45**

Petrol Chain Saw	PCS 46-45-1	PCS 46-45
Max. power	1800 W	1600 W
Engine displacement	45.2 cm <sup>3</sup>	45.2 cm <sup>3</sup>
Engine type	2 stroke/air cooling	2 stroke/air cooling
Max. engine speed	11000 min <sup>-1</sup>	11000 min <sup>-1</sup>
Fuel tank capacity	540 ml	540 ml
Oil tank capacity	330 ml	330 ml
Fuel/oil ratio	40:1	40:1
Cutting length	420 mm	420 mm
Chain pitch/gauge	9.525/1.27 mm	9.525/1.27 mm
Walbro carburetor	✓	✓
With OREGON bar and chain	✓	✓
German Heraeus catalyts	✓	✓
Tool-less chain tension	✓	✓
With EU II	✓	✓
Quick-stop recoil guard	✓	✓
Easy start	✓	✓
Pcs/20' FCL/40' FCL/40' HQ	870/1780/2020 pcs	870/1780/2020 pcs
Art. No.	320.450.140	320.450.120
Barcode	4250116807505	4250116804740
Accessory	Chain	
Art. No.	320.450.121	



AC Chain Saw	EK 1600-350	EK 2400-40 AK
Rated voltage	230-240 V~/50 Hz	230-240 V~/50 Hz
Rated power	1600 W	2400 W
Chain speed	13.5 m/s	15 m/s
Cutting length	335 mm	380 mm
Oil tank capacity	150 ml	170 ml
Guide bar	14"	16"
Tool-less chain tension system	✓	✓
Lower kick-back	✓	✓
OREGON chain and bar	✓	✓
Vertical/horizontal cutting mode	✓	✓
Recoil hand guard	✓	✓
Mechanical brake	✓	✓
Automatic chain lubricating system	✓	✓
Pcs/20' FCL/40' FCL/40' HQ	1150/2384/2634 pcs	1130/2370/2730 pcs
Art. No.	320.400.150	320.400.160
Barcode	4250116898565	4250116805105
Accessory	Chain	Chain
Art. No.	320.400.151	320.400.161

**KS 200-1**

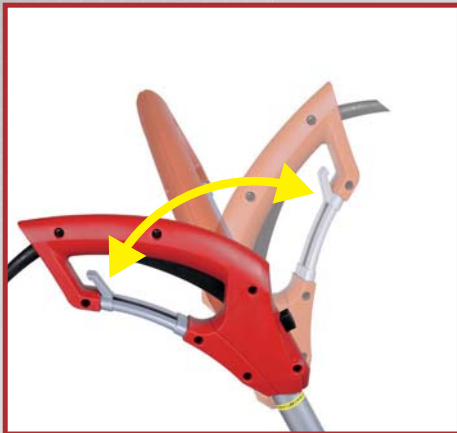


Accessory

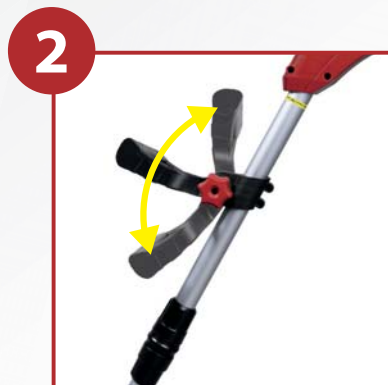
Chain Sharpener	KS 200-1	
Rated voltage	230 V~/50 Hz	
Rated power	220 W	
No-load speed	7500 min <sup>-1</sup>	
Grinding disc(3/8" chain)	Ø 100 x Ø 10 x 4.5 mm	
Optional grinding disc(1/4" chain)	Ø 100 x Ø 10 x 3.2 mm	
Universal grinding angle adjustment with scale	✓	
Interchangeable grinding discs	✓	
Pivot saw vice	✓	
Pcs/20' FCL/40' FCL/40' HQ	2500/5200/5800 pcs	
Art. No.	320.400.230	
Barcode	4250116809431	
Accessory	1 x disc(3.2 mm)	1 x disc(4.5 mm)
Art. No.	320.400.143	320.400.144

## RT 500-1

AC Line Trimmer



Turnable rear handle:  
0°/90°/180°



Multiposition  
auxiliary handle



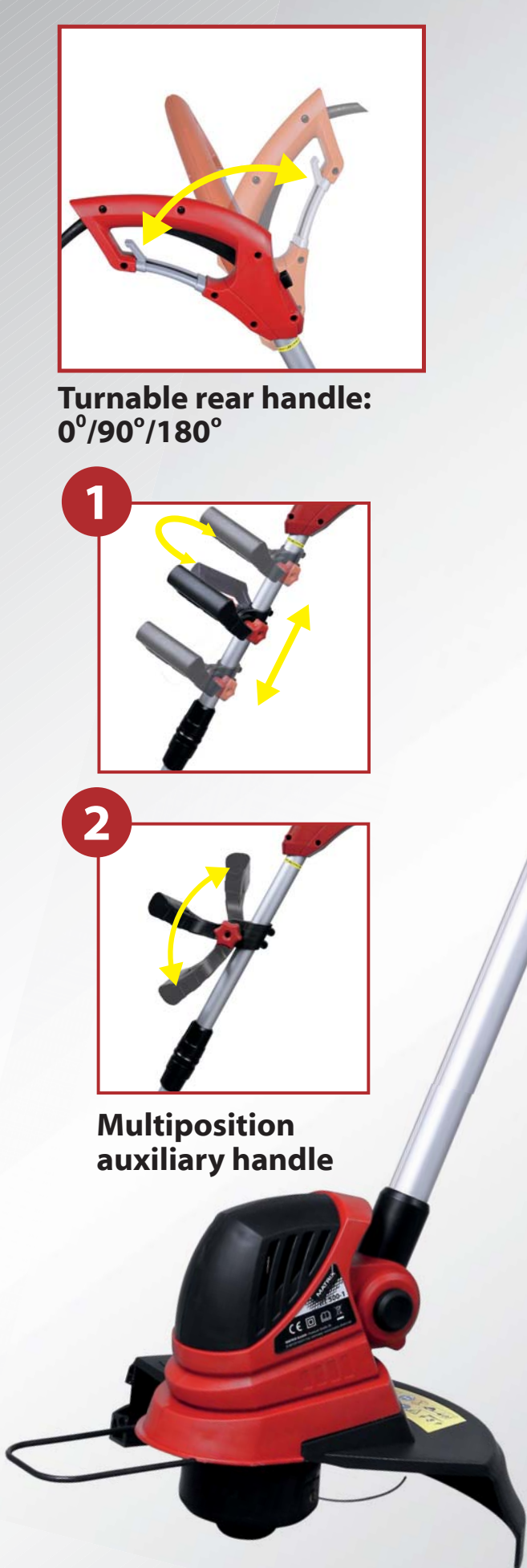
Fashion design



Telescopic shaft:  
0-0.8 m



4-position angle  
adjustable





AC/DC Line Trimmer	RT 500-1	RT 551-290	RT 301-240	BLT 18-280 Li	Petrol Line Trimmer	BMT 750
Rated voltage	230-240 V~/50 Hz	230-240 V~/50 Hz	230-240 V~/50 Hz			
Rated power	550 W	550 W	300 W			
Battery				Li-Ion 18 V d.c. 1.3 Ah		
No-load speed	10500 min <sup>-1</sup>	10500 min <sup>-1</sup>	11500 min <sup>-1</sup>	9000 min <sup>-1</sup>		
Cutting capacity	Ø 290 mm	Ø 290 mm	Ø 240 mm	Ø 260 mm		
Cutting line	2 lines/5 m/Ø 1.4 mm	2 lines/5 m/Ø 1.4 mm	2 lines/3 m/Ø 1.2 mm	2 lines/3 m/Ø 1.2 mm		
Charge time				1 hr/3-5 hrs		
Auxiliary handle	✓	✓		✓		
Telescopic shaft	✓	✓		✓		
Cutting angle adjustable	✓	✓		✓		
Tip-Automatic feed line	✓	✓	✓	✓		
Edge trimmer function	✓	✓	✓	✓		
Detachable shaft			✓			
Guide wheel		✓				
Pcs/20' FCL/40' FCL/40' HQ	1249/2680/3080 pcs	1192/2520/2912 pcs	2460/5160/5922 pcs	964/1928/2272 pcs	Pcs/20' FCL/40' FCL/40' HQ	560/1160/1340 pcs
Art. No.	310.550.330	310.550.090	310.550.080	310.520.030	Art. No.	310.550.180
Barcode	4250116810673	4250116805877	4250116805853	4250116804023	Barcode	4250116804788



Accessory	Spool for RT 500-1	Spool for RT 551-290	Spool for RT 301-240	Spool for BLT 18-280 Li	Spool for BMT 750
Art. No.	310.550.332	310.550.091	310.550.081	511.010.210	310.550.181

# BMS 1500

## Petrol Brush Cutter

*New design,  
unique & compact*



Asymmetric handle



Lower vibration



Easy start



Capable fuel tank protector



Quick release at air filter



Double shoulder strap with quick release



Special construction,  
line to be easily  
released  
Ø 2.4 mm, 5m



# 4-stroke BMS 700-4S

## Petrol Brush Cutter



4-stroke engine, excellent lubricity, pure fuel, lower fuel consumption, long service life



Protective bracket



Lower emission



Lower noise



Split shaft



Double shoulder strap with quick release





Petrol Brush cutter	BMS 1000	BMS 1500	BMS 700-4S
Max. power	1.25 kW	1.4 kW	0.7 kW
Engine displacement	32.6 cm <sup>3</sup>	51.7 cm <sup>3</sup>	31.0 cm <sup>3</sup>
Engine type	2-stroke/air cooling	2-stroke/air cooling	4-stroke/air cooling
Max. engine speed	9800 min <sup>-1</sup>	9800 min <sup>-1</sup>	9800 min <sup>-1</sup>
Idling speed	3000 min <sup>-1</sup>	3000 min <sup>-1</sup>	3000 min <sup>-1</sup>
Fuel tank capacity	900 ml	1100 ml	680 ml
Oil tank capacity			315 ml
Mixing ratio	1:40	1:40	No mixing
Shaft length	1500 mm (split shaft)	1500 mm (split shaft)	1500 mm (split shaft)
Shaft diameter	Ø 26 mm (aluminum)	Ø 26 mm (aluminum)	Ø 26 mm (aluminum)
Brush cutter	Max. cutting speed	7800 min <sup>-1</sup>	7800 min <sup>-1</sup>
	Cutting capacity	Ø 255 mm	Ø 255 mm
	Blade specification	Ø 255xØ 25.4x1.4 mm	Ø 255xØ 25.4x1.4 mm
Grass trimmer	Max. cutting speed	6200 min <sup>-1</sup>	6200 min <sup>-1</sup>
	Cutting capacity	Ø 430 mm	Ø 430 mm
	Cutting line	2 lines/5 m/Ø 2.4 mm	2 lines/5 m/Ø 2.4 mm
Automatic feed line	✓	✓	✓
Easy start	✓	✓	✓
With EU II	✓	✓	✓
Asymmetric handle	✓	✓	✓
Quick release at air filter	✓	✓	✓
Capable fuel tank protection	✓	✓	✓
Separated from fuel supply system and lubrication system			✓
Protective bracket			✓
Split shaft	✓	✓	✓
Pcs/20' FCL/40' FCL/40' HQ	440/920/1008 pcs	440/920/1008 pcs	440/920/1008 pcs
Art. No.	310.750.270	310.750.280	310.750.260
Barcode	4250116811809	4250116811816	4250116811793

Accessory	Spool	Blade
BMS	✓	✓
BMS	✓	✓
BMS	✓	✓
Art. No.	310.750.171	310.750.172





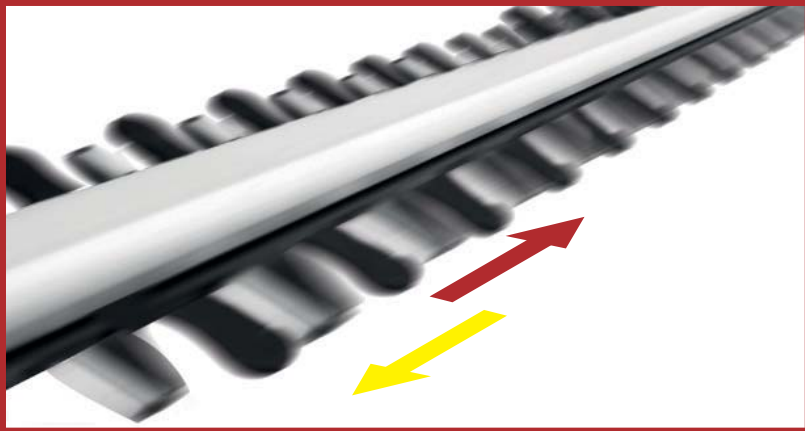
Petrol Brush cutter		BMS 900-3	BMS 1400	PGT 3 in 1	Hedge Trimmer optional for PGT 3 in 1	
Max. power		0.9 kW	1.4 kW	0.9 kW	Max. cutting speed brush cutter	1550 min <sup>-1</sup>
Engine displacement		32.6 cm <sup>3</sup>	51.7 cm <sup>3</sup>	32.6 cm <sup>3</sup>	Cutting length	400 mm
Engine type		2-stroke/air cooling	2-stroke/air cooling	2-stroke/air cooling	Cutting width	24 mm
Fuel tank capacity		900 ml	1100 ml	900 ml	Two linear reciprocating cutter blades	✓
Fuel/oil ratio		40:1	40:1	40:1	16" hedge trimmer	✓
Idling speed		3000 min <sup>-1</sup>	2800 min <sup>-1</sup>	3000 min <sup>-1</sup>		
Brush cutter	Max. cutting speed	7800 min <sup>-1</sup>	7800 min <sup>-1</sup>	7200 min <sup>-1</sup>		
	Cutting capacity	Ø 255 mm	Ø 255 mm	Ø 255 mm		
	Blade specification	Ø 255xØ 25.4x1.4 mm	Ø 255xØ 25.4x1.4 mm	Ø 255xØ 25.4x1.4 mm		
	Max. engine speed	10000 min <sup>-1</sup>	9800 min <sup>-1</sup>	9800 min <sup>-1</sup>		
Grass trimmer	Max. cutting speed	6200 min <sup>-1</sup>	6200 min <sup>-1</sup>	5900 min <sup>-1</sup>		
	Cutting capacity	Ø 430 mm	Ø 430 mm	Ø 430 mm		
	Cutting line	2 lines/5 m/Ø 2.4 mm	2 lines/5 m/Ø 2.4 mm	2 lines/5 m/Ø 2.4 mm		
	Max. engine speed	8600 min <sup>-1</sup>	8000 min <sup>-1</sup>	8000 min <sup>-1</sup>		
Pole saw	Max. engine speed			9500 min <sup>-1</sup>		
	Cutting capacity			254 mm		
	OREGON chain/bar			✓		
Easy start		✓	✓	✓		
Split shaft		✓	✓	✓		
With EU II		✓	✓	✓		
Automatic feed line		✓	✓	✓		
Double shoulder strap with quick release			✓	✓		
Pcs/20' FCL/40' FCL/40' HQ		440/920/1008 pcs	440/920/1008 pcs	440/920/1008 pcs		
Art. No.		310.750.170	310.750.150	310.550.260		
Barcode		4250116806034	4250116805617	4250116808359		

Accessory	Spool	Blade	Chain
BMS 900-3	✓	✓	
BMS 1400	✓	✓	
PGT 3 in 1	✓	✓	✓
Art. No.	310.750.171	310.750.172	310.550.321

### Accessories



**Double action**



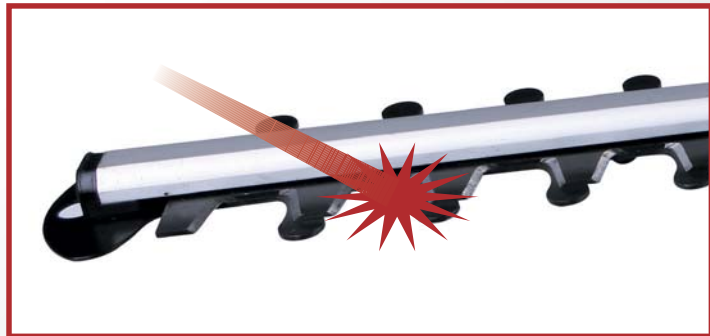
**Long lifetime gear**

# HT 710-600

AC Hedge Trimmer



**Fashion design**



**Precise and clean cutting by  
"laser blade"**



**Good balance**





Laser cutting

## HT 710-400



Laser cutting

## HT 710-500



Laser cutting

## HT 710-600



AC Hedge Trimmer	HT 710-400	HT 710-500	HT 710-600
Rated voltage	230-240 V~/50 Hz	230-240 V~/50 Hz	230-240 V~/50 Hz
Rated power	710 W	710 W	710 W
No-load speed	1500 min <sup>-1</sup>	1500 min <sup>-1</sup>	1500 min <sup>-1</sup>
Cutting length	420 mm	525 mm	600 mm
Tooth space	Ø 24 mm	Ø 24 mm	Ø 24 mm
Brake	Mechanical	Mechanical	Mechanical
Blade holder	Aluminum	Aluminum	Aluminum
Safety switch	✓	✓	✓
Long lifetime gear	✓	✓	✓
Double action blades	✓	✓	✓
Laser cutting	✓	✓	✓
Pcs/20' FCL/40' FCL/40' HQ	1040/2144/2384 pcs	1040/2144/2384 pcs	960/2000/2240 pcs
Art. No.	320.100.210	320.100.220	320.100.230
Barcode	4250116810642	4250116810659	4250116810666

**HT 501-510-E**



**BHT 18-51 Li**



**PHT 26-750**



AC/DC Hedge Trimmer	HT 501-510-E	BHT 18-51 Li	Petrol Hedge Trimmer	PHT 26-750
Rated voltage	230-240 V~/50 Hz		Max. power	750 W
Rated power	500 W		Engine displacement	26 cm <sup>3</sup>
Battery		Li-Ion 18 V d.c. 1.3 Ah	Engine type	2 stroke/air cooling
Charge time		1 hr	Max. engine speed	10000 min <sup>-1</sup>
No-load speed	1600 min <sup>-1</sup>	1100 min <sup>-1</sup>	Fuel tank capacity	600 ml
Cutting length	460 mm	510 mm	Fuel/oil ratio	25:1
Tooth space	Ø 16 mm	Ø 14 mm	Blade speed	1600 min <sup>-1</sup>
Brake	Electric	Electric	Cutting length	560 mm
Blade holder	Steel	Aluminum	Max. cutting capacity	Ø 28 mm
Safety switch	✓	✓	Easy start	✓
Double action blades	✓	✓	Two safety blades	✓
Adjustable front handle		✓	Adjustable rear handle	✓
Pcs/20' FCL/40' FCL/40' HQ	1324/2772/3108 pcs	1272/2544/2998 pcs	Spring damper	✓
Art. No.	320.100.081	320.120.040	Pcs/20' FCL/40' FCL/40' HQ	608/1320/1470 pcs
Barcode	4250116897834	4250116804009	Art. No.	320.150.060
			Barcode	4250116806195

## 3 in 1 BUT 10,8-3 Grass Shear

1



Blade quick change system

2



3



**BUT 10,8-3**

**AGB 7,2 Li**  
with telescope handle

**AGB 7,2 Li**



**NEW**  
3 in 1



DC Grass Shear	BUT 10,8-3	AGB 7,2 Li	AGB 7,2 Li
<b>Battery</b>	Li-ion 10.8 V d.c./1.3 Ah	Li-ion 7.2 V d.c./1.3 Ah	Li-ion 7.2 V d.c./1.3 Ah
<b>Charge time</b>	1 hr/3-5 hr	1 hr/3-5 hr	1 hr/3-5 hr
<b>No-load speed</b>	1000 min <sup>-1</sup>	1000 min <sup>-1</sup>	1000 min <sup>-1</sup>
<b>Cutting width (grass shear)</b>	145 mm	95 mm	95 mm
<b>Cutting length (hedge trimmer)</b>	185 mm	185 mm	185 mm
<b>Cutting diameter (reciprocating saw)</b>	100 mm		
<b>Sawing function</b>	✓		
<b>Shearing, and trimming function</b>	✓	✓	✓
<b>Detachable battery</b>	✓		✓
<b>Soft grip</b>	✓	✓	✓
<b>Adjustable rear handle</b>	✓		
<b>Telecopic shaft</b>	✓		✓
<b>Guide wheel</b>	✓		✓
<b>Blade quick-change system</b>	✓	✓	✓
<b>Pcs/20' FCL/40' FCL/40' HQ</b>	1230/2580/3030 pcs	4200/8920/10560 pcs	1880/3920/4600 pcs
<b>Art. No.</b>	310.550.380	310.100.060	310.100.061
<b>Barcode</b>	4250116811823	4250116812165	4250116812189



**2 in 1** EPS-HT 710 S

Pole Hedge Trimmer/Pole Saw



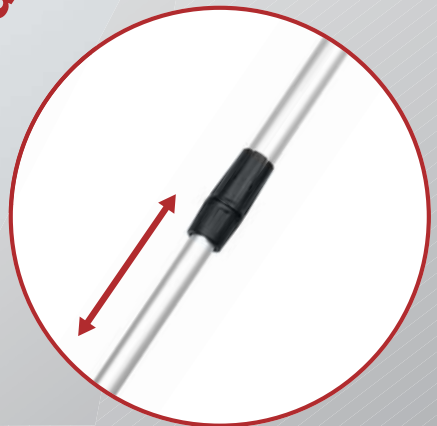
2.0-2.7 m

0-0.8 m

0°/15°/30°

-45°/0°/45°/90°

**2 in 1** EPS 900-C  
Pole Saw/Chain Saw





**EPS-HT 710 S**



**EPS 900-C**

Telescopic shaft for  
EPS 900-CT

### 2 in 1 Pole Hedge Trimmer/Pole Saw

EPS-HT 710 S	Pole Hedge Trimmer	Pole Saw
Rated voltage	230-240 V~/50 Hz	230-240 V~/50 Hz
Rated power	450 W	710 W
No-load speed	1700 min <sup>-1</sup>	7000 min <sup>-1</sup>
Cutting length	410 mm	250 mm
Chain speed		12.5 m/s
Total length	2.0-2.8 m	2.0-2.7 m
Tooth space	16 mm	
Guide bar		10"
Telesopic shaft	✓	✓
Safety switch	✓	✓
Blade holder	Steel	
Cutting angle adjustment	-45°/0°/45°/90°	0°/15°/30°
Shoulder strap	Single with quick-release	
Quick-change system	✓	✓
Anti-slipping grip	✓	✓
Tool-less chain tension system(SDS)		✓
Automatic chain lubricating system		✓
Pcs/20' FCL/40' FCL/40' HQ	624/1250/1450 pcs	
Art. No.	310.550.370	
Barcode	4250116811663	

Accessory Chain for EPS-HT 710 S Art. No.: 310.550.371

### 2 in 1 Pole saw/Chainsaw

EPS 900-C	Pole saw
Rated voltage	230-240 V~/50 Hz
Rated power	900 W
No-load speed	9300 min <sup>-1</sup>
Chain speed	15 m/s
Guide bar	10"
Cutting length	190 mm
Total length	1.7-2.7 m
Telescopic shaft	✓
Anti-slipping grip	✓
Hand protection	✓
Bar tip guard	✓
Automatic chain lubricating system	✓
Quick-change system	✓
Tool-less chain tension system(SDS)	
Cutting angle adjustment	0°/30°/60°
Shoulder strap	Single with quick-release
Pcs/20' FCL/40' FCL/40' HQ	740/1580/1790 pcs
Art. No.	310.550.250
Barcode	4250116808038

Accessory Chain for EPS 900-C Art. No.: 310.550.251

EPS 900-CT (optional) Art. No.: 310.550.370 Barcode: 4250116811663



**LS 1300-32**



**LSR 1400-320-1**

**ELS 1400 R**



AC Scarifier/Aerator	LS 1300-32	LSR 1400-320-1	ELS 1400 R
Rated voltage	230 V~/50 Hz	230 V~/50 Hz	230 V~/50 Hz
Rated power	1300 W	1400 W	1400 W
No-load speed	2500 min <sup>-1</sup>	3100 min <sup>-1</sup>	2600 min <sup>-1</sup>
Working width	320 mm	320 mm	320 mm
Working height	-10 to +4 mm	-10 to +5 mm	-10 to +4 mm
Scarifier function	✓	✓	✓
Aerator function	✓	✓	✓
Built-in plug	✓	✓	✓
Safety switch	✓	✓	✓
Height settings	5 positions	4 positions	3 positions
Quick-change system	✓	✓	✓
Pcs/20' FCL/40' FCL/40' HQ	308/642/740 pcs	350/740/830 pcs	308/642/740 pcs
Art. No.	310.400.070	310.400.080	310.400.090
Barcode	4250116811861	4250116811878	4250116812202

**PMT 40**



**PMT 50**



Petrol Tiller	PMT 40	PMT 50
Max. power	2610 W	3500 W
Engine displacement	131 cm <sup>3</sup>	163 cm <sup>3</sup>
Engine type	OHV-4 stroke/air cooling	OHV-4 stroke/air cooling
Rated speed	3000 min <sup>-1</sup>	3600 min <sup>-1</sup>
Fuel tank capacity	2200 ml	2200 ml
Oil tank capacity	600 ml	600 ml
Working width	360 mm	600 mm
Blade	L+R, 2 sets, Ø 260 mm	L+R, 3 sets, Ø 260 mm
Tilling depth	150-200 mm	150-200 mm
Forward gear	1	1
Transport wheel	✓	✓
Adjustable working depth	✓	✓
Knives	8+8 knives	12+12 knives
Safety operating handle	✓	✓
Pcs/20' FCL/40' FCL/40' HQ	138/294/294 pcs	126/264/264 pcs
Art. No.	310.750.010	310.750.050
Barcode	4250116801701	4250116893744



**GSB 2500-40**



**SGS 2500**



**PGS 4000**



AC Garden Shredder	SGS 2500	GSB 2500-40
Rated voltage	230 V~/50 Hz	230-240 V~/50 Hz
Rated power	2400 W (S6, 40%)	2500 W (S6, 40%)
No-load speed	40 min <sup>-1</sup>	4050 min <sup>-1</sup>
Chipping capacity	40 mm	40 mm
Debris box capacity	60 l	50 l
Induction motor	✓	
Reverse function	✓	
Safety switch	✓	✓
Magnetic switch	✓	✓
Overload protection	✓	✓
Transport wheel	✓	✓
Automatic feed		✓
Debris collector	Box	Box
Pcs/20' FCL/40' FCL/40' HQ	270/570/665 pcs	280/580/660 pcs
Art. No.	320.300.100	320.300.060
Barcode	4250116811885	4250116805655

Accessory 2 x Knives for GSB 2500-400 Art. No.: 320.300.061

Petrol Garden Shredder	PGS 4000
Max. power	4000 W
Engine displacement	159 cm <sup>3</sup>
Engine type	OHV-4 stroke/air cooling
Max. cutting speed	2400 min <sup>-1</sup>
Chipping capacity	Ø Max. 50 mm
Fuel tank capacity	1200 ml
Oil tank capacity	550 ml
Recoil starting system	✓
2 replaceable blades	✓
Up to 20 to 1 reduction of waste ratio	✓
Large transport wheels	✓
Pcs/20' FCL/40' FCL/40' HQ	70/148/183 pcs
Art. No.	320.300.050
Barcode	4250116805006

L-SW 2200-405/1 Eco

LS-6-2250

LS-4-1500

LS-8-2200

LS-5-520

LS-10-3000

Turnable  
table

Accessory

AC Log Splitter	LS-4-1500	LS-5-520	LS-6-2250	LS-8-2200	LS-10-3000	L-SW 2200-405/1 Eco
Rated voltage	230-240 V~/50 Hz	230-240 V~/50 Hz	230 V~/50 Hz	230 V~/50 Hz	400 V~/50 Hz	230 V~/50 Hz
Rated power	1500 W S2 20min	1500 W S2 20min	2200 W	2200 W	3000 W S2 15 min	3300 W S2 10 min
No-load speed	2950 min <sup>-1</sup>	2950 min <sup>-1</sup>	2950 min <sup>-1</sup>	2950 min <sup>-1</sup>	2950 min <sup>-1</sup>	2950 min <sup>-1</sup>
Max. splitting force	4 t	5 t	6 t	8 t	10 t	
Log diameter	50-250 mm	50-250 mm	50-320 mm	50-320 mm	50-320 mm	
Max. log length	370 mm	520 mm	520/770/1040 mm	520/770/1040 mm	520/770/1040 mm	
Max. stroke travel	300 mm	390 mm	480 mm	480 mm	480 mm	
Cylinder diameter	Ø 55 mm	Ø 55 mm	Ø 58 mm	Ø 70 mm	Ø 75.5 mm	
Hydraulic oil capacity	2200 ml	2800 ml	3700 ml	5500 ml	5700 ml	
Table size			300x265 mm	300x265 mm	300x265 mm	
Blade size						Ø 405 x2.5 mm 40T TCT blade
Cutting capacity						Ø 25-130 mm
Transport wheels	✓	✓	✓	✓	✓	
Two-hand safety control	✓	✓	✓	✓	✓	
Electrical powered hydraulic ram	✓	✓	✓	✓	✓	
Magnetic switch with electronic brake system						✓
3 table height settings			✓	✓	✓	
Extension table						✓
Pcs/20' FCL/40' FCL/40' HQ	250/515/560 pcs	200/410/460 pcs	88/176/184 pcs	88/176/176 pcs	72/144 pcs	128/264/304 pcs
Art. No.	310.400.220	310.400.230	310.400.240	310.400.180	310.400.260	310.400.290
Barcode	4250116899296	4250116899319	4250116899302	4250116899258	4250116805730	4250116812233
Accessory	Cross knife for LS-6-2250	Cross knife for LS-8-2200	Cross knife for LS-10-3000			
Art. No.	310.400.241	310.400.181	310.400.162			

## 2 in 1 SP 900-2

### Dirty and Clean Water Pump



With cable winding function

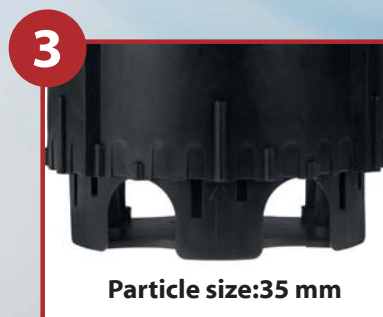
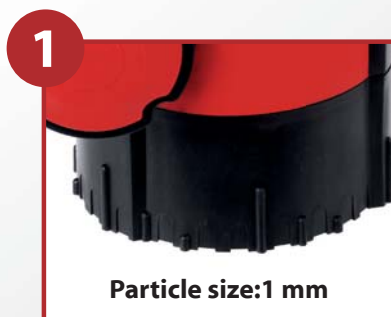
Clean & Dirty



### With easy-change adjustable particle size



- 1 Particle size 1 mm for fully suction purpose
- 2 Particle size 8 mm as normal clean water pump
- 3 Particle size 35 mm as normal dirty water pump





Dirty & Clean Pump	SP 400-2
Rated voltage	230 V~/50 Hz
Rated power	400 W
Max. flow rate	7500 l/h
Max. delivery height	5 m
Max. submersion depth	5 m
Foreign matter up to	Ø 1/8/35 mm
Hose diameter	1-1 1/2"
Connection diameter	1 1/2"
Cable length	10 m
With float switch	✓
Aluminum motor	✓
Pcs/20' FCL/40' FCL/40' HQ	1800/3680/4200 pcs
Art. No.	340.300.050
Barcode	4250116811922

SP 400-2



SP 900-2

**NEW**  
2 in 1



Dirty & Clean Pump	SP 900-2
Rated voltage	230 V~/50 Hz
Rated power	900 W
Max. flow rate	13000 l/h
Max. delivery height	9 m
Max. submersion depth	7 m
Foreign matter up to	Ø 1/8/35 mm
Hose diameter	1-1 1/2"
Connection diameter	1 1/2"
Cable length	10 m
With float switch	✓
Aluminum motor	✓
Pcs/20' FCL/40' FCL/40' HQ	1660/3440/3860 pcs
Art. No.	340.300.060
Barcode	4250116811946



**SPW 400**



**SPW 750**



**RBP 350**



**SP 401**



**SPW 900 D**



Dirty/Clean Pump	SP 401	SPW 400	SPW 750	SPW 900 D	RBP 350
Rated voltage	230 V~/50 Hz	230 V~/50 Hz	230 V~/50 Hz	230 V~/50 Hz	230 V~/50 Hz
Rated power	400 W	400 W	750 W	900 W	350 W
Max. flow rate	7000 l/h	7500 l/h	12500 l/h	14000 l/h	3000 l/h
Max. delivery height	7.5 m	5 m	8 m	9 m	10 m
Max. submersion depth	5 m	5 m	7 m	7 m	7 m
Foreign matter up to	Ø 5 mm	Ø 25 mm	Ø 25 mm	Ø 35 mm	Ø 3 mm
Hose diameter	1-1 1/2"	1-1 1/2"	1-1 1/2"	1-1 1/2"	3/4"
Connection diameter	1 1/2"	1 1/2"	1 1/2"	1 1/2"	3/4"
Cable length	10 m	10 m	10 m	10 m	10 m
With float switch	✓	✓	✓	✓	✓
Aluminum motor	✓	✓	✓	✓	✓
Pcs/20' FCL/40' FCL/40' HQ	2300/4600 pcs	2040/4080 pcs	2040/4080/4320 pcs	1800/3600/3860 pcs	1960/3840/4320 pcs
Art. No.	340.300.070	340.300.080	340.300.090	340.300.100	340.100.040
Barcode	4250116811960	4250116811984	4250116812004	4250116812028	4250116812042



**JP 600-2800**



**JP 1200-3800**



**WSS 600-2800**



**WSS 1200-3800**

Garden Pump	JP 600-2800	JP 1200-3800	WSS 600-2800	WSS 1200-3800
Rated voltage	230 V~/50 Hz	230 V~/50 Hz	230 V~/50 Hz	230 V~/50 Hz
Rated power	600 W	1200 W	600 W	1200 W
Max. flow rate	2800 l/h	3800 l/h	2800 l/h	2800 l/h
Max. delivery height	35 m	48 m	35 m	38 m
Hose diameter	1"	1"	1"	1"
Connection diameter	1"	1"	1"	1"
Max. delivery pressure	3.5 bar	4.8 bar	3.5 bar	4.8 bar
Cable length	1 m	1 m	1 m	1 m
Aluminum motor	✓	✓	✓	✓
Pcs/20' FCL/40' FCL/40' HQ	1083/2203/2478 pcs	1083/2203/2478 pcs	390/820/920 pcs	360/740/820 pcs
Art. No.	340.100.050	340.100.060	340.100.070	340.100.080
Barcode	4250116812066	4250116812073	4250116812080	4250116812097

**PWP 3000-20**



**PWP 3000-30**



Petrol Pump	PWP 3000-20	PWP 3000-30
Max. power	3.6 kW/ 3600 min <sup>-1</sup>	3.6 kW/ 3600 min <sup>-1</sup>
Engine displacement	196 ml	196 ml
Engine type	OHV, single cylinder, 4 stroke, forced air-cooling	OHV, single cylinder, 4 stroke, forced air-cooling
Rated rotation speed	3000 min <sup>-1</sup>	3000 min <sup>-1</sup>
Fuel tank capacity	3.6 l	3.6 l
Bore x Stroke	68 x 54 mm	68 x 54 mm
Engine oil capacity	0.6 l	0.6 l
Fuel consumption	≤ 395 g/ kW.h	≤ 395 g/ kW.h
Continuous time	2.5 h	2.5 h
Outlet size	50 mm	80 mm
Inlet size	50 mm	80 mm
Max. flux	30 m <sup>3</sup> /h	50 m <sup>3</sup> /h
Max. discharge head	25 mm	20 mm
Max. suction head	8 mm	8 mm
Oil sensor	✓	✓
Foam filter element	✓	✓
TCL ignition system	✓	✓
Pcs/20' FCL/40' FCL/40' HQ	330/720/720 pcs	208/416/520 pcs
Art. No.	340.100.090	340.100.100
Barcode	4250116812103	4250116812110

# 2 in 1 GLB 26 Petrol Leaf Blower

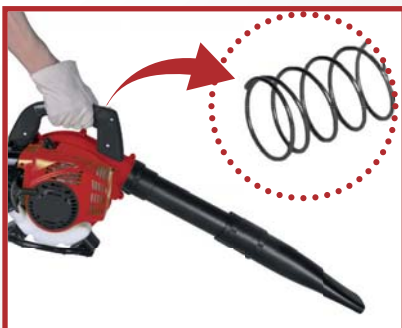
**3 functions: Blower, Vaccum and Shredder**



1 2 Easy to clean & vaccum 3 With leaves shredded function



**Stable running with  
complete crankshaft**



# BGLB 26 Petrol Leaf Blower

## Anti vibration system



Backpack



Springs



With extension  
tube



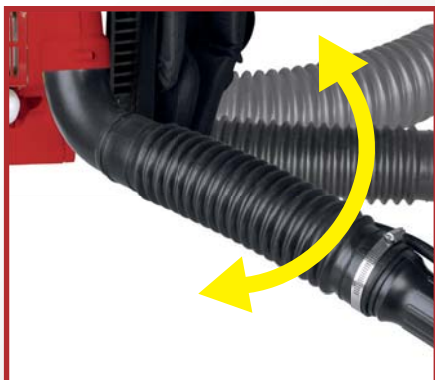
Easy to clean



***Stable running with  
complete crankshaft***



**Air velocity: 280 Km/h  
Air volume: 8 m<sup>3</sup>/min**



Flexible corrugated  
hose



Convenient to  
operate



Easy start  
(optional)

**NEW**  
2 in 1

**Vaccum & Shredder**

**Telescopic**

**GLB 26**

**Blower**

**NEW**

**BGLB 26**

**EGV 2500-3**

**EGV 2600-3**

Petrol Leaf Blower	GLB 26	BGLB 26
Rated power	750 W	750 W
Engine displacement	26 cc (2-stroke)	26 cc (2-stroke)
Max. engine speed	8500 min <sup>-1</sup>	8500 min <sup>-1</sup>
Idling speed	3500 min <sup>-1</sup>	3500 min <sup>-1</sup>
Fuel ratio	30:1	30:1
Fuel tank capacity	360 ml	360 ml
Air velocity	180 km/h	280 km/h
Air volume	8 m <sup>3</sup> / min	8 m <sup>3</sup> / min
Dust bag capacity	40 L	
Characteristic anti vibration system	✓	✓
Complete crankshaft	✓	✓
Easy start(optional)	✓	✓
3 functions: Blower/Vaccum/Shredder	✓	
Safety switch	✓	
40 L collection bag	✓	
Spring damper	✓	✓
Double shoulder strap with pad		✓
2 x Suction pipe	✓	
Blow pipe	2x Blow pipe	3x Blow pipe
1 x corrugated pipe		✓
Pcs/20' FCL/40' FCL/40' HQ	810/1650/1930 pcs	560/1150/1340 pcs
Art. No.	320.200.240	320.200.250
Barcode	4250116812219	4250116812226

AC Leaf Blower	EGV 2500-3	EGV 2600-3
Rated voltage	230-240 V~/50 Hz	230 V~/50 Hz
Rated power	2500 W	2600 W
No-load speed	14000 min <sup>-1</sup>	13000 min <sup>-1</sup>
Air speed	210 km/h	120 km/h
Debris bag capacity	45 L	35 L
Shoulder strap	✓	✓
Lever change action blower/vacuum	✓	✓
Suction, blowing and shredding function	✓	✓
Telescopic vaccum tube	✓	
Transport wheel	✓	✓
Speed control	Optional	Optional
Pcs/20' FCL/40' FCL/40' HQ	820/1700/1950 pcs	800/1800/2060 pcs
Art. No.	320.200.280	320.200.220
Barcode	4250116809714	4250116811243

# MATRIX

## buy direct

MATRIX GmbH

Postauer Str. 26

D-84109 Wörth/Isar Germany

Phone: +49 (0) 8702/94 85 8 - 0

Fax: +49 (0) 8702/94 85 8 - 0

E-Mail: [info@matrix-direct.net](mailto:info@matrix-direct.net)

[www.matrix-direct.net](http://www.matrix-direct.net)